



Pro-Tacker Plus



Operator's Manual

Model Numbers: PRT-75010 (220V)

Revision: A

© Copyright 2021 by DEMTECH Services, Inc.

All Rights Reserved

Scope of Manual:

This manual contains procedures for safety, general unpacking, set-up, and operation of your DEMTECH Services, Inc. Pro-Tacker.

The text of this publication, or any part thereof, may not be reproduced or transmitted in any form or by any means, electronic or mechanical, including photocopying, recording, storage in an information retrieval system, or otherwise, without prior written permission of DEMTECH Services, Inc.

Notice

Patents have been granted and/or patent applications are pending or are in the process of preparation on all DEMTECH Services, Inc. developments.

The material in the manual is for informational purposes only and is subject to change without notice.

DEMTECH Services, Inc. assumes no responsibility for any errors that may appear in this manual.

Printed in the USA

Manual Number: **PRO-TACKER (PRT-75010) OPERATORS MANUAL, Revision: A**

DEMTECH Services, Inc.
6414 Capitol Avenue Diamond Springs, CA 95619 U.S.A.
Telephone: (530) 621-3200
Toll Free: (888) 324-9353
Fax: (530) 621-0150
Web Site: www.demtech.com

Table of Contents

1	SAFETY PRECAUTIONS.....	PAGE 1
2	GENERAL SAFETY & MAINTENANCE INFORMATION.....	PAGE 2
	2.1 Intended Use.....	Page 2
	2.2 Maintenance.....	Page 2
3	GENERAL PRODUCT DATA.....	PAGE 3
4	SITE PREPARATION.....	PAGE 3
5	UNPACKING & INSTALLATION INSTRUCTIONS.....	PAGE 3
	5.1 Unpacking and Preparation.....	Page 4
	5.2 Operation and Features.....	Page 4
6	FACTORY SERVICING.....	PAGE 6

1 Safety Precautions

Safety precautions for operating personnel and equipment:

WARNING 1: Operating personnel should perform only the procedures described and recommended in this manual. These manual covers procedures pertaining to the use of the Pro-Tacker Hot Air Welder.

WARNING 2: To avoid serious injury always operate ensure the user does not make direct contact with the barrel of the Pro-Tacker while in use.

WARNING 3: The locations of potentially dangerous voltages and other hazards are identified and labeled on the equipment. Be careful to observe these warnings when installing, operating, maintaining, or servicing the equipment. Observe all warnings in this manual.

WARNING 4: Ensure proper electrical connection prior to use, failure to do so may lead to a dangerous shock to the user.

WARNING 5: This product is intended for operator attended operation only. This product should never be left unattended while plugged in. Failure to do so may cause injury to the user and/or damage the Pro-Tacker.

WARNING 6: The Pro-Tacker can ignite flammable fluids and gases, ensure there are no flammable fluids and/or gases near the surface of interest, failure to do so may injure the user and/or cause damage to the Pro-Tacker.

CAUTION 1: Observe the precautions given on the equipment and within this manual to prevent damage to the equipment.

CAUTION 2: Unauthorized personnel should not remove from the equipment those panels or covers that are provided for protection and/or require a tool to remove.

CAUTION 3: A damaged housing and/or operation without properly fastened protective covers may cause electrical shock to the user.

2 General Safety & Maintenance Information

The DEMTECH Services, Inc. Pro-Tacker, hereinafter referred to as the Pro-Tacker or Hot Air Welder is a high voltage piece of equipment. Always disconnect the power cord before performing any service and/or maintenance procedures. At all times while operating the Pro-tacker keep hands, fingers, and other body parts well clear of the hot-air channel.

2.1 *Intended Use*

Pro-Tacker is intended as professional use equipment and is not intended for sale to the general public.

The Pro-Tacker has been manufactured utilizing the latest technology and current safety standards and regulations. However, improper use or abuse may lead to hazardous conditions for the user or other personnel or cause damage to the Hot Air Welder.

Always keep this manual with the Pro-Tacker at or near the location where the Hot Air Welder is being used so that it can be referred to quickly and easily.

The technician assigned to operate this Hot Air Welder must have read through and become familiar with this manual, particularly all safety information, before operating the Pro-Tacker.

Intended use: Flooring Installation, repairing tarps and awnings, overlap welding of vinyls and coated fabrics, tac welding of HDPE liners, tank construction, heating thermoplastics for forming and bending, automotive, shrink tubing, molded parts, activating adhesives as well as many other situations that require a handheld Hot Air Welder.

No changes and/or modifications shall be made to the Pro-Tacker especially as it relates to safety.

2.2 *Maintenance*

Maintenance, inspection and adjustment of the Pro-Tacker shall only be carried out by qualified personnel. Before removing or installing spare parts or performing other repair operations to the Hot Air Welder, consult DEMTECH Services, Inc. or your authorized DEMTECH service center for advice on proper procedures. This will help insure a safe and successful outcome. Always make sure all screw connections are tight before attempting to operate the Pro-Tacker after maintenance and/or repair procedures. Also make sure all covers, guards, and other safety devices have been fully reinstalled before use.

3 General Product Data

The DEMTECH Services, Inc. Pro-Tacker, hereinafter referred to as the Hot Air Welder, provides the user with a durable, lightweight tried and tested Hot Air Welding tool. This arrangement allows for a simple easy to use control system that anyone can learn. The provided torque and high maneuverability of the Pro-Tacker allows one operator to efficiently tac weld HDPE liners as well as any other process that requires applied heat. DEMTECH Services, Inc. strives to make our systems easy to use and built to last. Just like all other DEMTECH Services, Inc. products, a trained operator will be productive in minutes.

4 Site Preparation

Before proceeding with the unpacking and installation instructions in the following section(s) make sure the work site is prepared and ready to use the Pro-Tacker. The Pro-Tacker should only be used on surfaces that are free of debris, failure to do so could cause injury to the user and/or damage the Pro-Tacker.

Carefully follow the detailed unpacking and installation instructions provided in this manual.

5 Unpacking & Installation Instructions

This section contains instructions for the unpacking, placement, and installation of the Pro-Tacker. Carefully review the following information, sub-sections, and each procedure before beginning unpacking and installation of the system.

The Pro-Tacker comes complete packaged on a 17" x 6" x 4" package. Ensure all packaging is removed from the Pro-Tacker prior to use.

Note: The system illustrated in this manual shows ALL available features for the Pro-Tacker, therefore, your system may vary slightly in appearance from that depicted.

5.1 Unpacking and Preparation

- a. Before opening the Pro-Tackers box and unpacking the system, inspect the outside of the box thoroughly for any signs of mishandling or damage during shipping. Report any damage to the shipping carrier immediately and do not proceed with unpacking. Since the shipment is made FOB factory, you should consult your administration concerning claims for shipping damage. Please notify DEMTECH Services, Inc. immediately in writing of any shipping damage.
- b. Open the Pro-Tackers box and thoroughly inspect inside the container and equipment thoroughly for any signs of mishandling or damage during shipping. Report any damage to the shipping carrier immediately and do not proceed with unpacking. Since the shipment is made FOB factory, you should consult your administration concerning claims for shipping damage. Please notify DEMTECH Services, Inc. immediately in writing of any shipping damage.

5.2 Operation and Features

- a. The Pro-Tacker provides the user with an easy-to-use simple system of powering on and controlling their Welders output temperature. Plug the Pro-Tacker into a stable 120V (P/N ***PRT-75005, PRT-75000***) OR 220v (P/N ***PRT-75010***) outlet utilizing the provided power cord (*Item 3, Figure 5.1*), and simply flip the power switch to the 'I' position (*Item #2, Figure 5.1*).
- b. Once the Pro-Tacker is plugged in, turn the red potentiometer knob to adjust the output temperature, (*Item #1, Figure 5.1*).
- c. Whenever the Pro-Tacker is not in use for an extended period of time or user is done using tool, cool-down the Pro-tacker as follows:
 1. Turn the temperature all the way down by turning the red knob (*Item #1, Figure 5.1*) all the way counter-clockwise. Allow 2-5 minutes for heating elements and nozzle to reach a safe temperature.
 2. Flip power switch to "O" position.

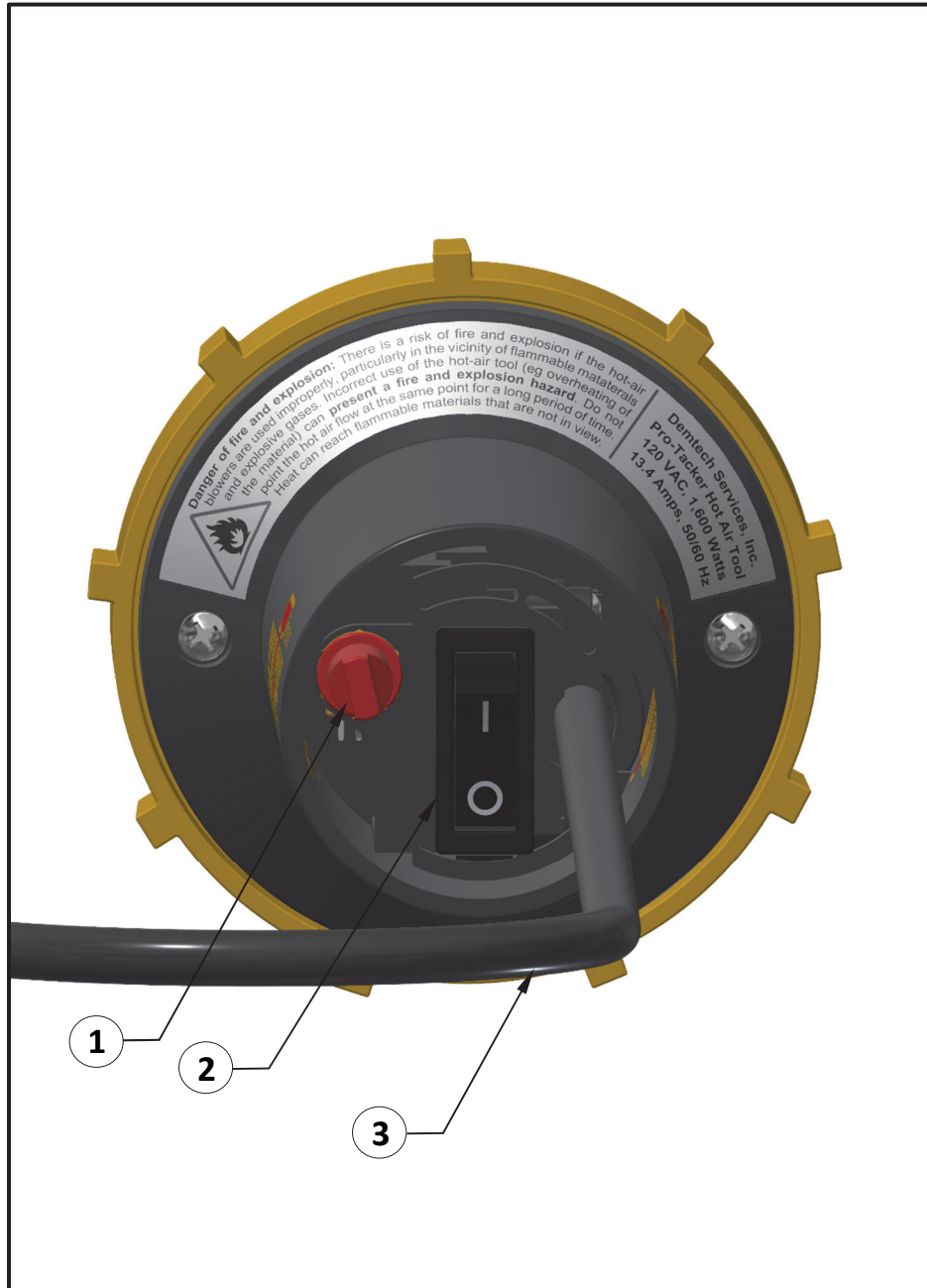


Figure 5.1

6 Factory Servicing

In the event your Pro-Tacker should require factory service, the entire Hot Air Welder needs to be returned to the factory. Refer to the following step for preparing the Pro-Tacker for return. Unless previous arrangements are made, shipping charges and insurance are the responsibility of the customer. Ship the packaged Pro-Puller to DEMTECH Services, Inc. at:

DemTech Services, Inc
Ship to address: 6414 Capitol Avenue
Diamond Springs, CA 95619
U.S.A.

Warranty

DEMTECH Services, Inc. warrants all equipment of its manufacture to be free from defects in materials, workmanship, mechanical parts, and labor for a period of one year from the date of shipment to the original buyer and ninety days for electrical. This warranty excludes normal wear items such as gears, bearings and chains. The liability under this warranty is limited to replacement parts and labor on equipment when the equipment is returned prepaid to the factory or its authorized service center with prior authorization from DEMTECH Services, Inc., and upon examination by DEMTECH Services, Inc., is determined to be defective. At DEMTECH Services, Inc.'s option, a service representative may be dispatched to the equipment location.

As an additional protection, DEMTECH Services, Inc. warrants that for a period of 90 days from the date of shipment to the original buyer, pending prior authorization from DEMTECH Services, Inc., there will be no charge for service related shipping of parts and/or equipment or for authorized travel of a service representative to the equipment location. After 90 days, all costs incurred for shipping the equipment or parts thereof or for travel are the responsibility of the buyer. Our warranty for this equipment is rendered void if the unit has been repaired, taken apart or modified, or attempted to be, unless such actions have been taken in accordance with written instructions received from DEMTECH Services, Inc. The warranty is also void if the equipment has been subjected to abuse, accident or other abnormal conditions.

IF ANY FAULT DEVELOPS, THE FOLLOWING STEPS SHOULD BE TAKEN:

1. Notify DEMTECH Services, Inc. by calling 1-888-324-9353. Overseas customers should contact the local DEMTECH authorized service center. Please be prepared with the model number, serial number and full details of the difficulty. Upon receipt of this information, service data or shipping instructions will be provided by DEMTECH Services, Inc. Do not return the unit for repair without first contacting the factory or its representative for instructions.
2. After the initial 90 day period, on receipt of shipping instructions, forward the equipment prepaid to the factory or its authorized service center as instructed. If requested, an estimate of the charges will be made before work begins, especially with those cases where the DEMTECH Services, Inc. product is not covered by the warranty.
3. If the original carton and packing are not available, the product should be packed in a container with a strong exterior and surrounded by a protective layer of shock-absorbing material. DEMTECH Services, Inc. advises returning the equipment at full value to the carrier.

DEMTECH Services, Inc. reserves the right to make changes in design at any time without incurring any obligation to install the same changes on units previously purchased.

This warranty states the essence of the obligations or liabilities on the part of DEMTECH Services, Inc. THE FORMAL, COMPLETE AND EXCLUSIVE STATEMENT OF DEMTECH SERVICES, INC.'S WARRANTY IS CONTAINED IN ITS QUOTATIONS, ACKNOWLEDGEMENTS AND INVOICES. DEMTECH Services, Inc. neither assumes, nor authorizes any person to assume for it, any liability in connection with the sale of its equipment other than those set forth herein